

OPERATION CONTINUED



FM MODE

JUMP TO PREVIOUS PRESET STATION - **SHORT PUSH**

ENTER "MANUAL MODE" (SHOWING 2 SECONDS) **SHORT PUSH** TO HAVE STEPPING FREQUENCY ADJUSTMENT OR PRESS AND HOLD TO HAVE FAST FORWARD FREQUENCY ADJUSTMENT.

AFTER ENTER "MANUAL MODE" IF NO ADJUSTMENT FOR 3 SECONDS, IT WILL AUTOMATICALLY SWITCH BACK TO AUTO MODE AND SHOW "AUTO" FOR 2 SECONDS

USB MODE

FAST BACKWARD - **LONG PUSH**



FM MODE

JUMP TO NEXT PRESET STATION - **SHORT PUSH**

ENTER "MANUAL MODE" (SHOWING 2 SECONDS) SHORT PRESS TO HAVE STEPPING FREQUENCY ADJUSTMENT OR PRESS AND HOLD TO HAVE FAST FORWARD FREQUENCY ADJUSTMENT.

AFTER ENTER "MANUAL MODE" IF NO ADJUSTMENT FOR 3 SECONDS, IT WILL AUTOMATICALLY SWITCH BACK TO AUTO MODE AND SHOW "AUTO" FOR 2 SECONDS

FAST FORWARD- **LONG PUSH**

PAIRING DEVICES

WHEN BT MUSIC IS FLASHING THE DEVICE IS IN PAIRING MODE

LOCATE THE DEVICE NAME ON YOUR PHONE TO PAIR. DEVICE NAME: **MEMPHIS MXA1**

Settings:

PRESS AND HOLD MODE(4) TO ENTER SETTING MENU. PRESS AND RELEASE MODE (4) TO CHANGE MENU ITEMS. TO ADJUST SETTING USE ROTARY DIAL (5). ADJUSTABLE SETTINGS ARE: BASS, TREBLE, BALANCE, FADER, BEEP, EQ, LOUD AND TUNER REGION.

WARRANTY

Electronics limited warranty (including Memphis accessories) When purchased from an Authorized Memphis Dealer, Memphis warrants this product to be free from defects in material and workmanship under normal use for a period of ONE (1) YEAR from date of original purchase (receipt required),THREE (3)YEARS years if installed by an authorized Memphis dealer (receipt required). If this product is identified as "Refurbished" or "B Goods", the warranty is limited to a period of THREE (3) MONTHS from date of original purchase. In all cases you must have the original receipt. Should service be necessary under this warranty for any reason due to manufacturing defect or malfunction during the warranty period, Memphis will repair or replace (at its discretion) the defective merchandise with equivalent merchandise. Warranty replacements may have cosmetic scratches and blemishes. Discontinued products may be replaced with more current equivalent products. Warranty is valid only for the original purchaser and is not extended to owners of the product subsequent to the original purchaser. Any applicable implied warranties are limited in duration to a period of the express warranty as provided herein beginning with the date of the original purchase at retail, and no warranties, whether express or implied, shall apply to this product thereafter. NOTE: This equipment has been tested and found to comply with the limits for a Class B digital device, pursuant to part 15 of the FCC Rules. These limits are designed to provide reasonable protection against harmful interference in a residential installation. This equipment generates, uses and can radiate radio frequency energy and, if not installed and used in accordance with the instructions, may cause harmful interference to radio communications. However, there is no guarantee that interference will not occur in a particular installation. If this equipment does cause harmful interference to radio or television reception, which can be determined by turning the equipment off and on, the user is encouraged to try to correct the interference by one or more of the following measures: Reorient or relocate the receiving antenna. Increase the separation between the equipment and the receiver. Connect the equipment into an outlet or a circuit different from that to which the receiver is connected.

CONTACT INFO



122 GAYOSO AVE, MEMPHIS, TN 38103



Tech Support: 800-903-6979

SHOW US YOUR INSTALL AND FOLLOW US TODAY!



WWW.MEMPHISCARAUDIO.COM



@MEMPHISCARAUDIO



@MEMPHISCARAUDIOUSA



MEMPHIS
XTREME AUDIO

EST 1965 | MEMPHIS, TN | USA

MXA1MC

Gauge Style Media Center



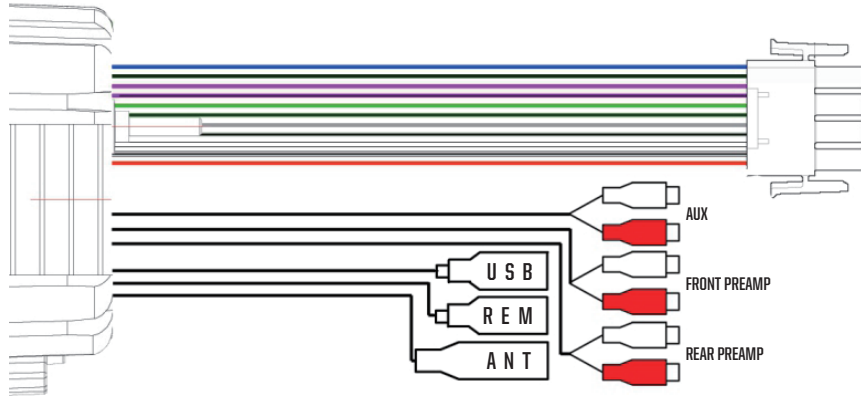
Thank you for purchasing Memphis Audio's Gauge Style Media Center. Please read this manual prior to installing and operating the unit. For additional questions or concerns please contact 800-903-6979.

Authorized Memphis Dealer:

Purchase Date:

Serial Number:

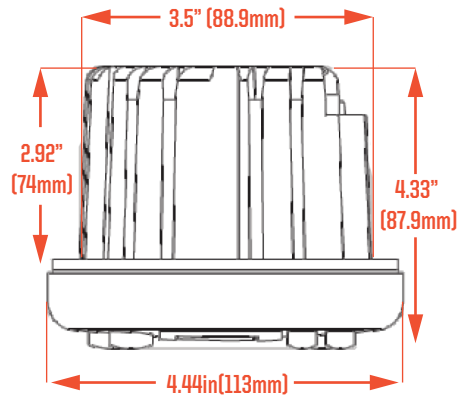
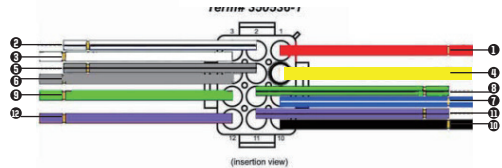
INSTALLATION OVERVIEW



CONNECTION:

- Pin 1 - Red // 12V Ignition
- Pin 2 - White & Black // Left Front Speaker (-)
- Pin 3 - White // Left Front Speaker (+)
- Pin 4 - Yellow // 12V Constant
- Pin 5 - Grey & Black // Right Front Speaker (-)
- Pin 6 - Grey // Right Front Speaker (+)
- Pin 7 - Blue // Remote Turn On
- Pin 8 - Green & Black // Left Rear Speaker (-)
- Pin 9 - Green // Left Rear Speaker (+)
- Pin 10 - Black // Ground
- Pin 11 - Purple & Black // Right Rear Speaker (-)
- Pin 12 - Purple // Right Rear Speaker (+)

*For 2 wire zero current draw when powered off:
Wire 12v constant and 12v ignition together



BUTTON FUNCTIONS



CONTROLS

1. SEEK DOWN
2. APS / PLAY / PAUSE
3. SEEK UP
4. MODE
5. POWER/VOLUME
6. BAND

POWER & ROTARY KNOB

- POWER ON - LONG PUSH
- MUTE - SHORT PUSH
- POWER OFF - LONG PUSH
- VOLUME - ROTATE KNOB

MODE

- FUNCTION SELECT (FM/BT/USB [IF INSERTED] AUX CYCLE - SHORT PUSH
- BASS/TREBLE/BALANCE/FADE/LOUD/EQ/CLOCK ADJUST - LONG PUSH TO ENTER MENUS
- SCROLL THROUGH FUNCTIONS AND VOLUME TO ADJUST FUNCTIONS - SHORT PUSH

PLAY/PAUSE/APS

- PLAY/PAUSE - SHORT PUSH
- USB MODE
- ENTER TRACK NUMBER BY ROTATING KNOB, PRESS KNOB TO SELECT TRACK OR LEAVE FOR 3 SECONDS TO PLAY TRACK - APS LONG PUSH

RADIO MODE

- JUMP TO NEXT STATION - SHORT PUSH
- AUTO-SCAN PRESET STATIONS - LONG PUSH

BAND

RADIO MODE

- BAND SELECT FM1, FM2, FM3, AM1, AM2, FM1 CYCLING - SHORT PUSH
- STORE DESIRED STATION AS A PRESET - LONG PUSH

USB MODE

- TITLE, ARTIST, ALBUM, TRACK NUMBER, & TIME LAPPED (CYCLING) - SHORT PUSH
- TURN ON/OFF "REPEAT" 1 SONG PLAYBACK - LONG PUSH

BLUETOOTH MODE

- DISCONNECT LINKED BLUETOOTH DEVICE - LONG PUSH